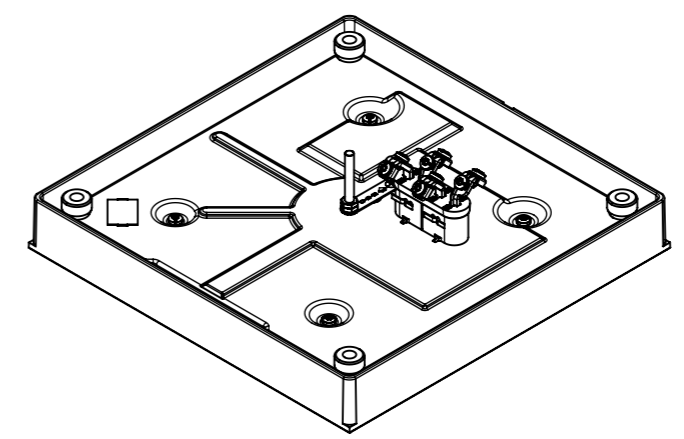
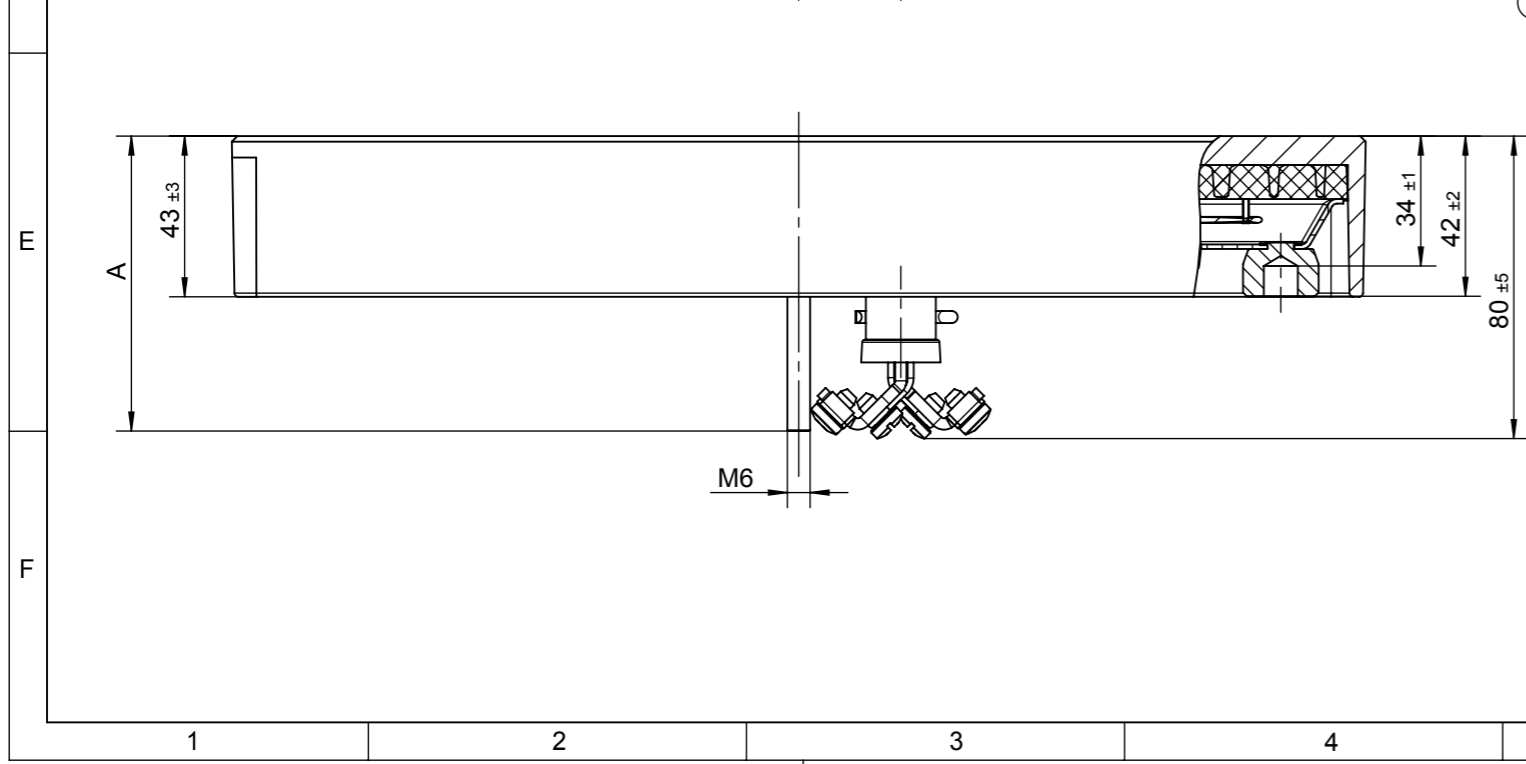
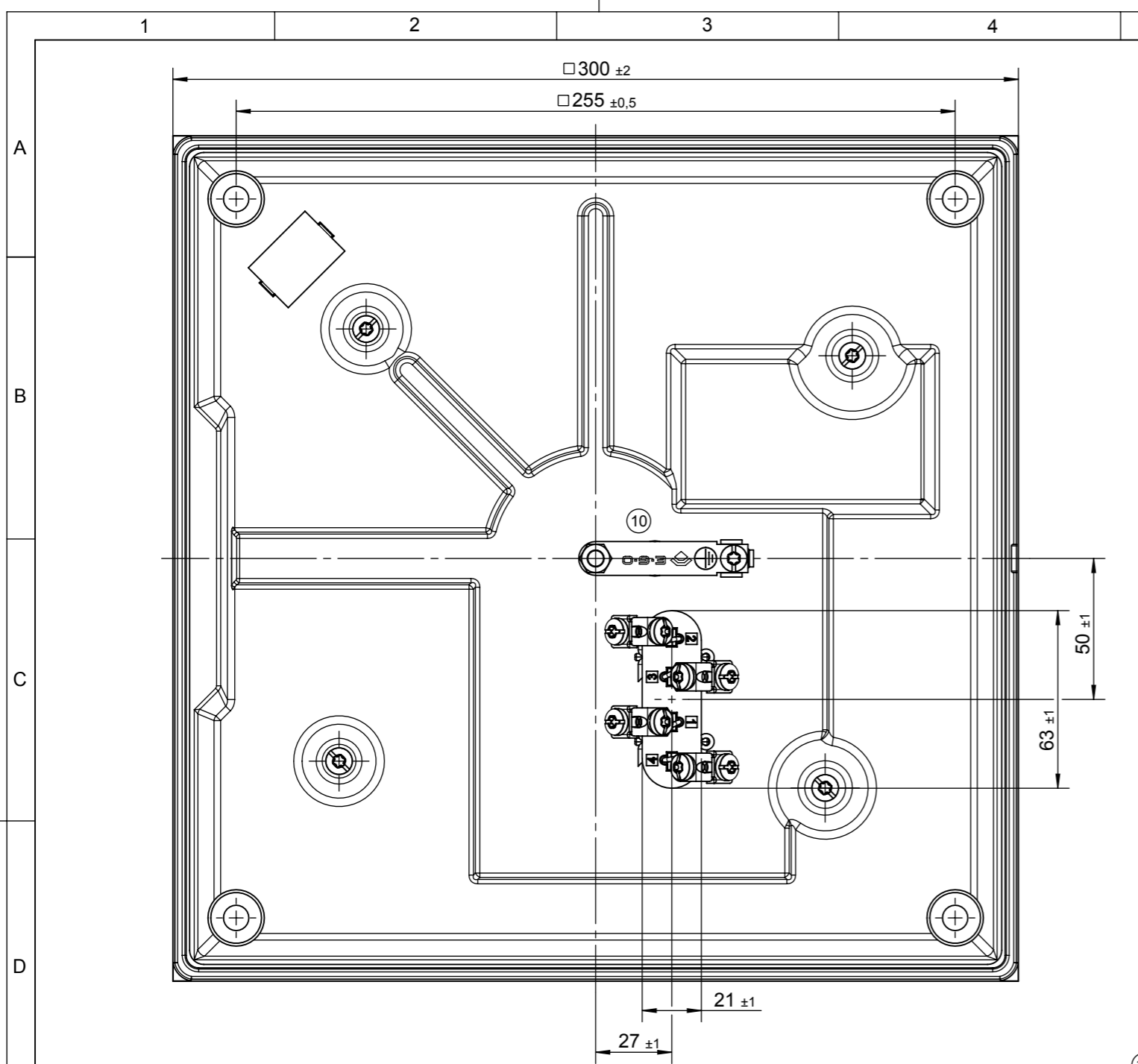


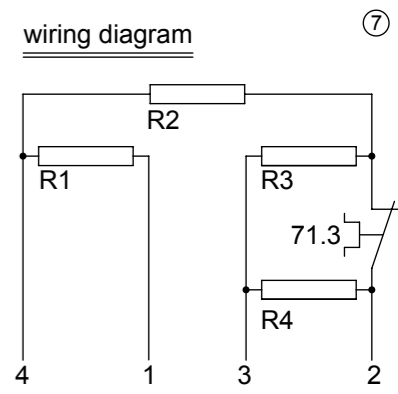
Doc.ID 11.33460.19X-101-09-A Doc. status 230 | released
 View date 2016-11-15 Viewed by BENDER
 Art.ID 11.33460.196-00/00A SAP Status 2F



11.33460.194
 4000W 230V~
 12 135

voltage marking
 230 V without
 240 V blue
 400 V red
 other green
 connection
 4 straps with clamp
 bracket and screws M5
 earthing
 with connecting lug
 clamp bracket and
 screw M5
 mounting
 The hotplate is to
 support on the 4
 supporting disks

At higher temperature the
 protector switches back
 to the rest wattages.
 Rest wattage by:
 4000 W = 2000 W
 3000 W = 1750 W
 2500 W = 1250 W



⑫

5	11.33460.198	2500	230	625	625	625	625	2500	1875	1250	625	420	250	X		78±5
4	11.33460.197	3000	400	750	750	500	1000	3000	2250	1500	750	500	300	X		78±5
3	11.33460.196	4000	440	1500	1000	1000	500	4000	2500	1500	1000	600	430	X		78±5
2	11.33460.195	4000	400	1500	1000	1000	500	4000	2500	1500	1000	600	430	X		78±5
1	11.33460.194	4000	230	1500	1000	1000	500	4000	2500	1500	1000	600	430	X		78±5

Pos	Type	Wattage	Voltage	Rated conductor				Switch positions				Appro.		"A" in mm	
		W	V	R1	R2	R3	R4	6	5	4	3	2	1		
13	A01475	2012-10-22	This document is exclusively committed to you for the agreed purpose. Any kind of duplication, utilization or communication of its content is prohibited, if not expressly conceded otherwise. Violators are committed to pay compensations. Any claims of existing or future property rights remain unaffected.												
12	A01474	2012-10-19	Blank No. EN Mat.No.												
11	A01469	2012-10-09	Material												
10	A01455	2012-08-09	Surface Texture ISO 1302												
9	A01428	2012-07-31	General Tolerances												
8	A01403	2012-06-13	CAD	Date	Name	Designation									
7	A01391	2012-06-12	1992-09-15	HOTZ	EGO Com. Hotplate 300x300										
Cha.	Information No.	Date	Proc.	2012-10-22	MATTHEST										
F.Rel.	0036EP	1992-09-17	Rel.	2012-10-22	KRUEGERG										

Drawing No. 11.33460.19X
 Sh.No. 101 Ver. 9 Stat. F Sheets Doc. Ex.Doc.

Origin Repl.for 11.33460.40_ Repl.by Ref.