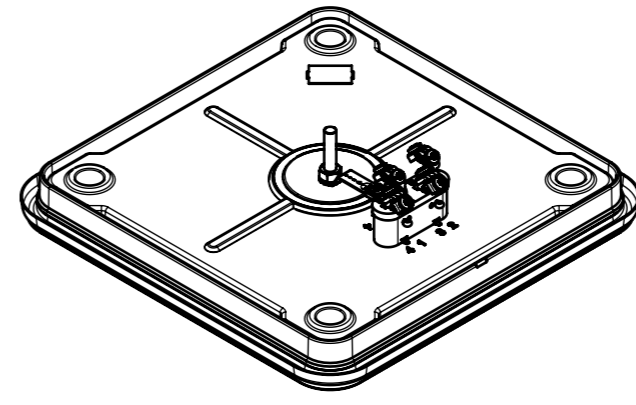
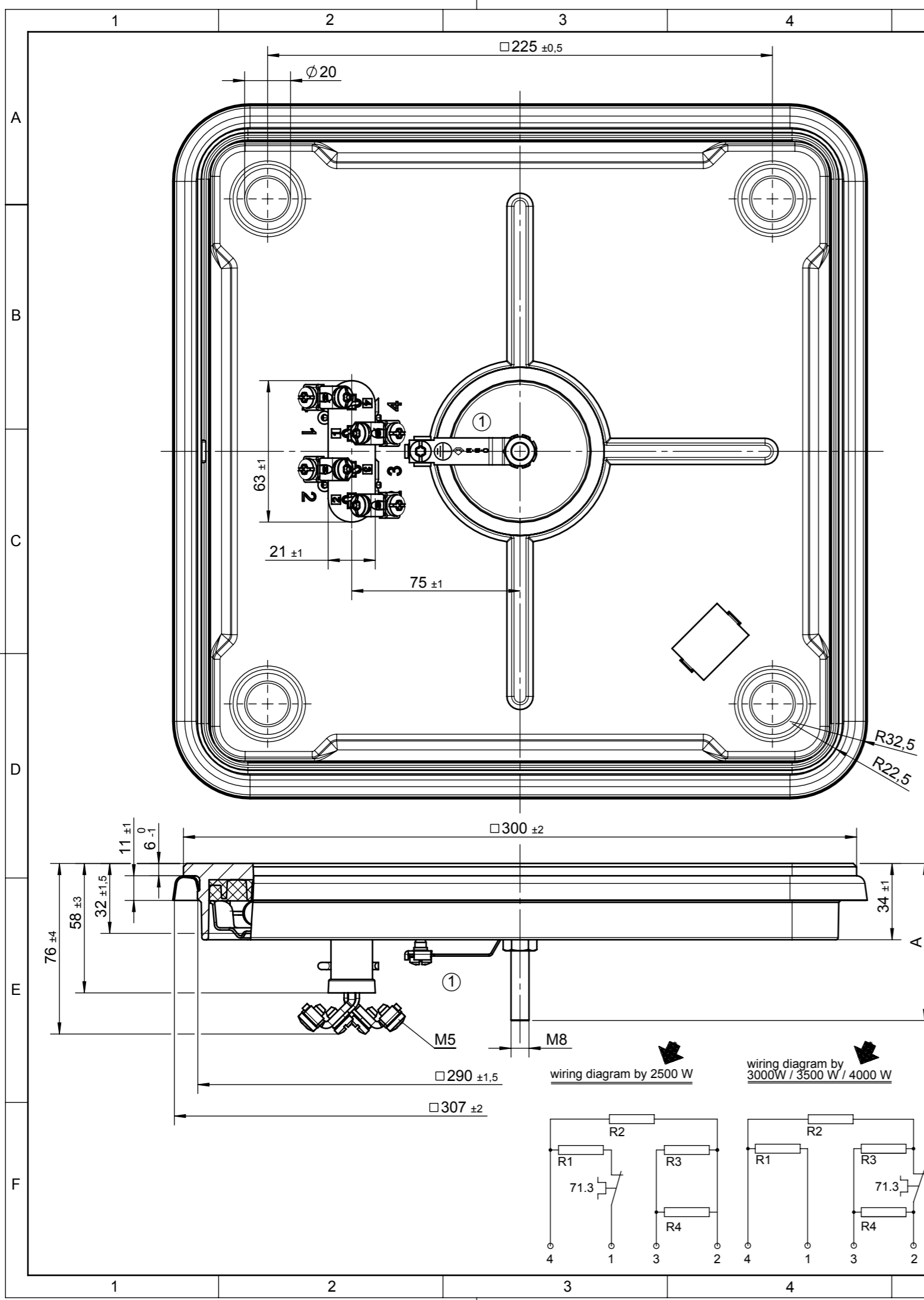


Doc.ID 11.33454.XXX-101-01-A Doc. status 261 | old version
 View date 2016-11-15 Viewed by BENDER
 Art.ID 11.33454.335-00/00A SAP Status 2F



At higher temperature
 the protector switches
 back to the rest wattages.
 Rest wattage by:
 2500 W = 1875 W
 3000 W = 1750 W
 3500 W = 2000 W
 4000 W = 2000 W

11.33454.236
 3000W 240V~
 12 165

voltage marking
 230 V without
 240 V blue
 400 V red
 other green

connection
 4 straps with clamp
 bracket and screws M5

earthing
 with connecting lug
 clamp bracket and
 screw M5

mounting
 The hotplate is to
 support on the 4
 supporting disks

Pos	Type	Wattage	Voltage	R1	R2	R3	R4	6	5	4	3	2	1	Appro.	"A" in mm
21	11.33454.338	4000	415	1500	1000	1000	500	4000	2500	1500	1000	600	430	X	70±3
20	11.33454.337	3000	415	750	750	500	1000	3000	2250	1500	750	500	300	X	70±3
19	11.33454.336	4000	440	1500	1000	1000	500	4000	2500	1500	1000	600	430	X	70±3
18	11.33454.335	3000	440	750	750	500	1000	3000	2250	1500	750	500	300	X	70±3
17	11.33454.334	2500	440	625	625	625	625	2500	1875	1250	625	420	250	X	70±3
16	11.33454.333	3000	480	750	750	500	1000	3000	2250	1500	750	500	300		70±3
15	11.33454.274	4000	208	1500	1000	1000	500	4000	2500	1500	1000	600	430	X	70±3
14	11.33454.265	4000	440	1333	1333	667	667	4000	2667	1333	1333	645	430	X	70±3
13	11.33454.262	4000	230	1333	1333	667	667	4000	2667	1333	1333	645	430	X	70±3
12	11.33454.252	2500	230	625	625	625	625	2500	1875	1250	625	420	250	X	70±3
11	11.33454.251	2500	400	625	625	625	625	2500	1875	1250	625	420	250	X	70±3
10	11.33454.249	4000	400	1500	1000	1000	500	4000	2500	1500	1000	600	430	X	70±3
9	11.33454.248	3000	400	750	750	500	1000	3000	2250	1500	750	500	300	X	70±3
8	11.33454.247	3000	230	750	750	500	1000	3000	2250	1500	750	500	300	X	70±3
7	11.33454.246	4000	230	1500	1000	1000	500	4000	2500	1500	1000	600	430	X	70±3
6	11.33454.245	2500	415	625	625	625	625	2500	1875	1250	625	420	250	X	70±3
5	11.33454.244	4000	200	1500	1000	1000	500	4000	2500	1500	1000	600	430	X	70±3
4	11.33454.242	3500	230	1000	1000	500	1000	3500	2500	1500	1000	600	380	X	70±3
3	11.33454.241	3500	400	1000	1000	500	1000	3500	2500	1500	1000	600	380	X	70±3
2	11.33454.239	4000	240	1500	1000	1000	500	4000	2500	1500	1000	600	430	X	70±3
1	11.33454.236	3000	240	750	750	500	1000	3000	2250	1500	750	500	300	X	70±3

W		V		Rated conductor				Switch positions					Appro.		"A" in mm		
													D'E cRU		70±3		
This document is exclusively committed to you for the agreed purpose. Any kind of duplication, utilization or communication of its content is prohibited, if not expressly conceded otherwise. Violators are committed to pay compensations. Any claims of existing or future property rights remain unaffected.				Blank No.				EN Mat.No.				Scale Unit mm					
				Material								Scale 1:2					
				Surface Texture ISO 1302								General Tolerances					
				CAD				Date				Name					
1		A01449		2012-08-03		Creat.		2011-12-12		MAURERR		Designation					
Cha. Information No.				Date				Proc.				2012-08-02				MAURERR	
F.Rel. A01402				2012-07-16				Rel.				2012-08-03				KRUEGERG	
				CAD				Date				Name		Designation			
												EGO Com. Hotplate 300x300					
Origin				Repl.for 11.33454. Div.				Repl.by				Ref.					
11.33454.XXX				Sh.No. 101				Ver. 1				Stat. I				Sheets Doc. Ex.Doc.	