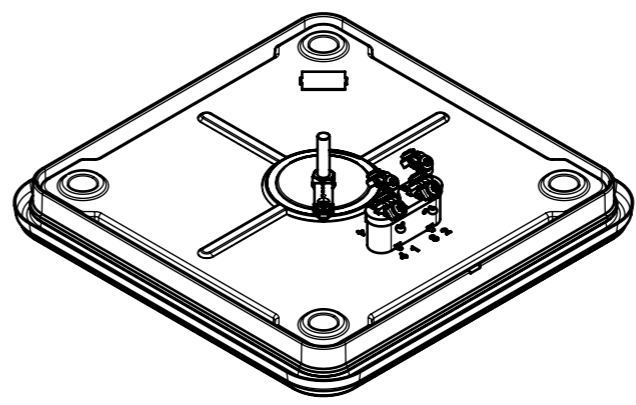
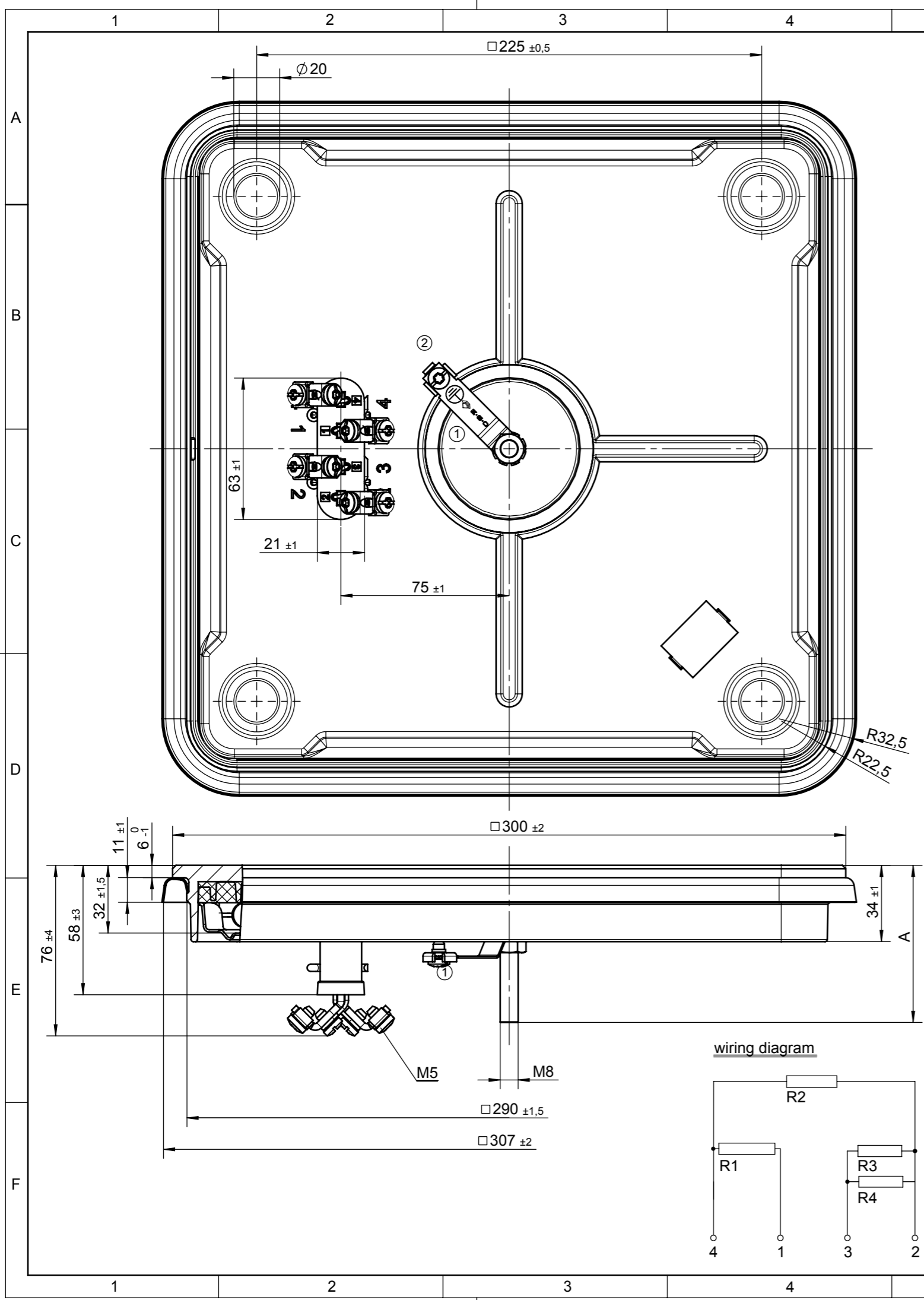


Doc.ID 11.33473.XXX-101-02-A Doc. status 230 | released
 View date 2016-11-15 Viewed by BENDER
 Art.ID 11.33473.335-00/00A SAP Status 2F



11.33473.236
 3000W 240V
 12 165

voltage marking
 230 V without
 240 V blue
 400 V red
 other green

connection
 4 straps with clamp
 bracket and screws M5

earthing
 with connecting lug
 clamp bracket and
 screw M5

mounting
 The hotplate is to
 support on the 4
 supporting disks

Pos	Type	Wattage	Voltage	Rated conductor				Switch positions					Appro.	"A" in mm	
				R1	R2	R3	R4	6	5	4	3	2	1		
8	11.33473.338	3000	400	750	750	750	750	3000	2250	1500	750	500	300	X	70±3
7	11.33473.335	3000	440	750	750	750	750	3000	2250	1500	750	500	300	X	70±3
6	11.33473.334	2500	440	625	625	625	625	2500	1875	1250	625	420	250	X	70±3
5	11.33473.331	2500	400	625	625	625	625	2500	1875	1250	625	420	250	X	70±3
4	11.33473.239	3000	230	750	750	750	750	3000	2250	1500	750	500	300	X	70±3
3	11.33473.238	2500	230	625	625	625	625	2500	1875	1250	625	420	250	X	70±3
2	11.33473.237	2500	115	625	625	625	625	2500	1875	1250	625	420	250		70±3
1	11.33473.236	3000	240	750	750	750	750	3000	2250	1500	750	500	300	X	70±3

This document is exclusively committed to you for the agreed purpose. Any kind of duplication, utilization or communication of its content is prohibited, if not expressly conceded otherwise. Violators are committed to pay compensations. Any claims of existing or future property rights remain unaffected.

Blank No. EN Mat.No. Scale Unit mm
 Material Scale 1:2
 Surface Texture ISO 1302
 General Tolerances

2	A01495	2012-12-11	CAD	Date	Name
1	A01449	2012-08-03	Creat.	2012-06-13	MAURERR
Cha.	Information No.	Date	Proc.	2012-12-10	GLOCKLER
F.Rel.	A01402	2012-07-16	Rel.	2012-12-10	KRUEGERG

Designation
 EGO Com. Hotplate 300x300

Origin 5 **Repl.for** 11.33473. Div. 6 **Repl.by** 7 **Ref.** 8

Drawing No. 11.33473.XXX **Sh.No.** 101 **Ver.** 2 **Stat.** F **Sheets** **Doc.** **Ex.Doc.**