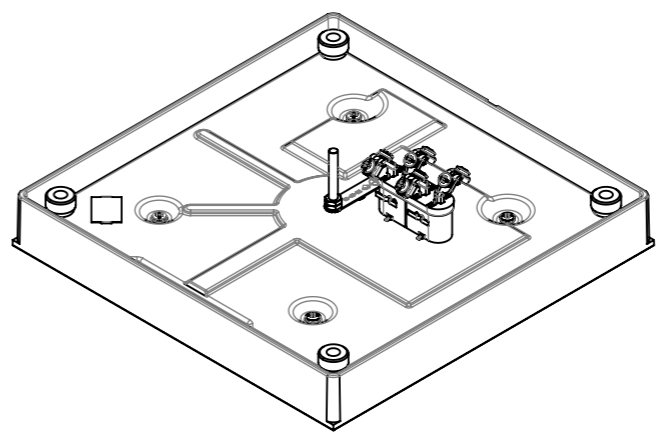
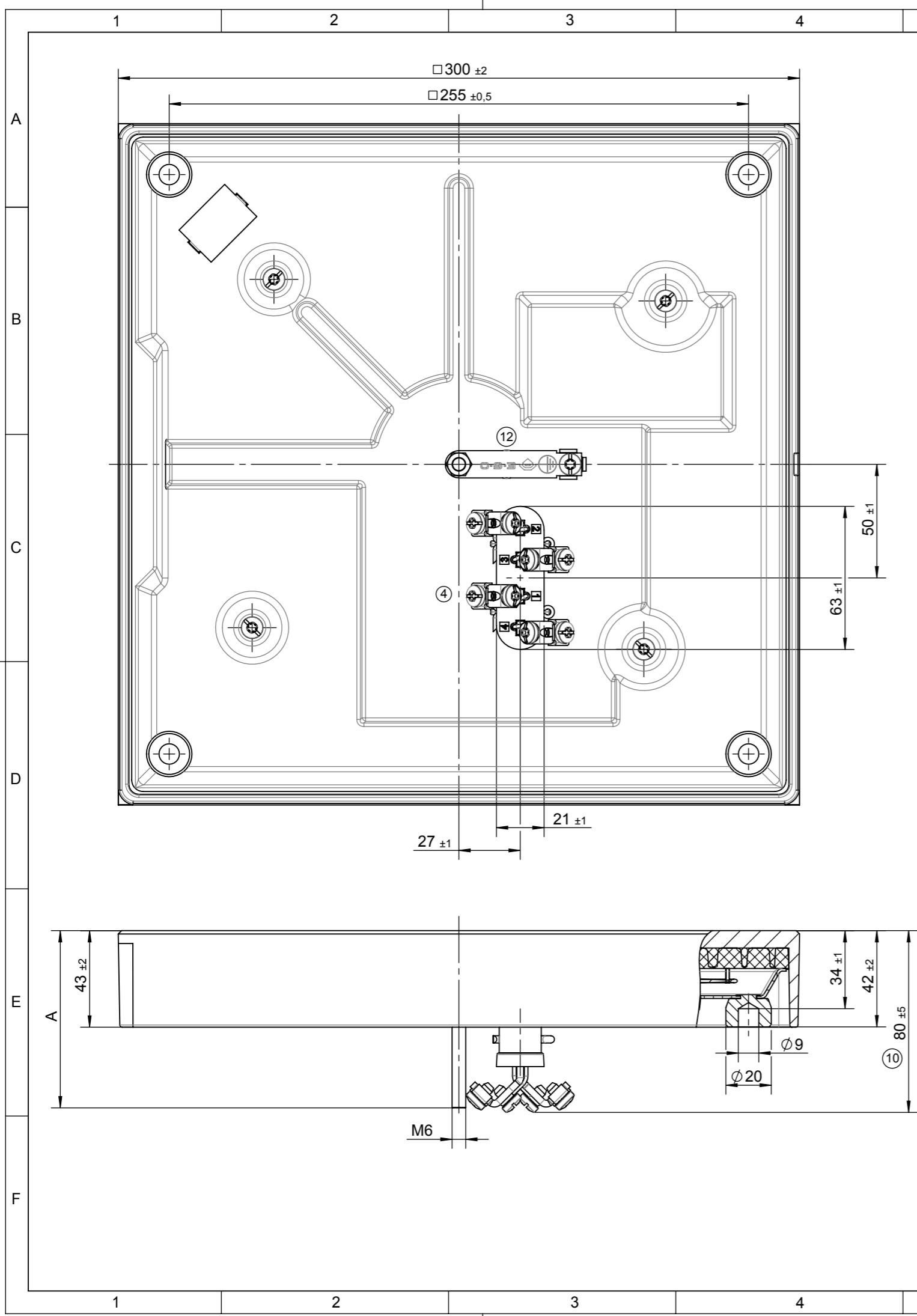


Doc.ID 11.33470.19X-101-05-A Doc. status 230 | released
 View date 2016-11-15 Viewed by BENDER
 Art.ID 11.33470.196-00/00A SAP Status 2F



11.33470.192
 2500W 230V~
 12 138

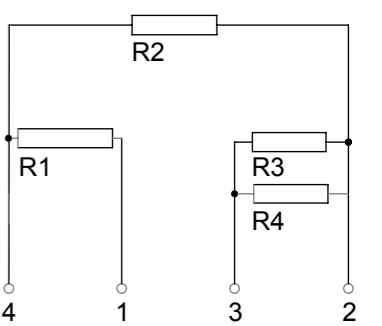
voltage marking
 230 V without
 240 V blue
 400 V red
 other green

connection
 4 straps with clamp
 bracket and screws M5

earthing
 with connecting lug
 clamp bracket and
 screw M5

mounting
 The hotplate is to
 support on the 4
 supporting disks

wiring diagram ⁹



Pos	Type	Wattage	Voltage	Rated conductor				Switch positions				Appro.	Scale				
				R1	R2	R3	R4	6	5	4	3	2	1	⑥	"A" in mm		
6	11.33470.199	2500	400	625	625	625	625	2500	1875	1250	625	420	250	X	78±5		
5	11.33470.197	2500	440	625	625	625	625	2500	1875	1250	625	420	250	X	78±5		
4	11.33470.196	3000	440	750	750	750	750	3000	2250	1500	750	500	300	X	78±5		
3	11.33470.195	3000	400	750	750	750	750	3000	2250	1500	750	500	300	X	78±5		
2	11.33470.194	3000	230	750	750	750	750	3000	2250	1500	750	500	300	X	78±5		
1	11.33470.192	2500	230	625	625	625	625	2500	1875	1250	625	420	250	X	78±5		
				W	V	R1	R2	R3	R4	6	5	4	3	2	1	 Appro.	"A" in mm
12	A01455	2012-08-09	This document is exclusively committed to you for the agreed purpose. Any kind of duplication, utilization or communication of its content is prohibited, if not expressly conceded otherwise. Violators are committed to pay compensations. Any claims of existing or future property rights remain unaffected.											Blank No.	EN Mat.No.	Scale Unit	
11	A01428	2012-07-31												Material	(11)	Scale 1:2	
10	A01403	2012-06-13												Surface Texture ISO 1302			
9	A01391	2012-06-12												General Tolerances			
8	CD0001	2010-12-15															
7	A00336	2004-09-24	CAD	Date	Name	Designation											
6	EP1578	1997-11-06	Creat.	1992-12-16	HOTZ	EGO Com. Hotplate 300x300											
Cha.	Information No.	Date	Proc.	2012-08-09	MAURERR												
F.Rel.	0061EP	1992-12-18	Rel.	2012-08-09	KRUEGERG												
Origin		Repl.for 11.33370.51X			Repl.by			Ref.									
E-G-O		Drawing No. 11.33470.19X			Sh.No. 101	Ver. 5	Stat. F	Sheets	Doc.	Ex.Doc.							