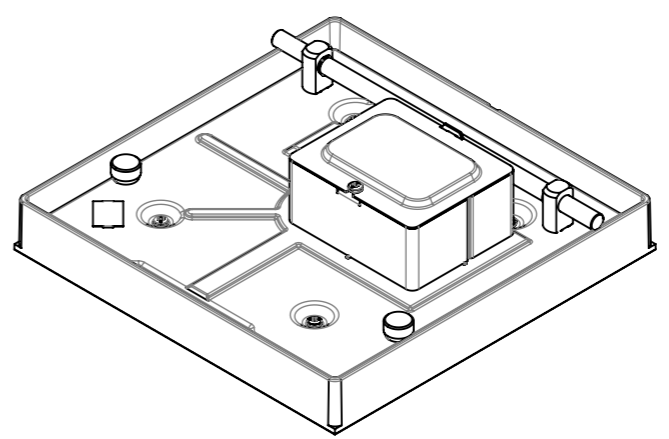
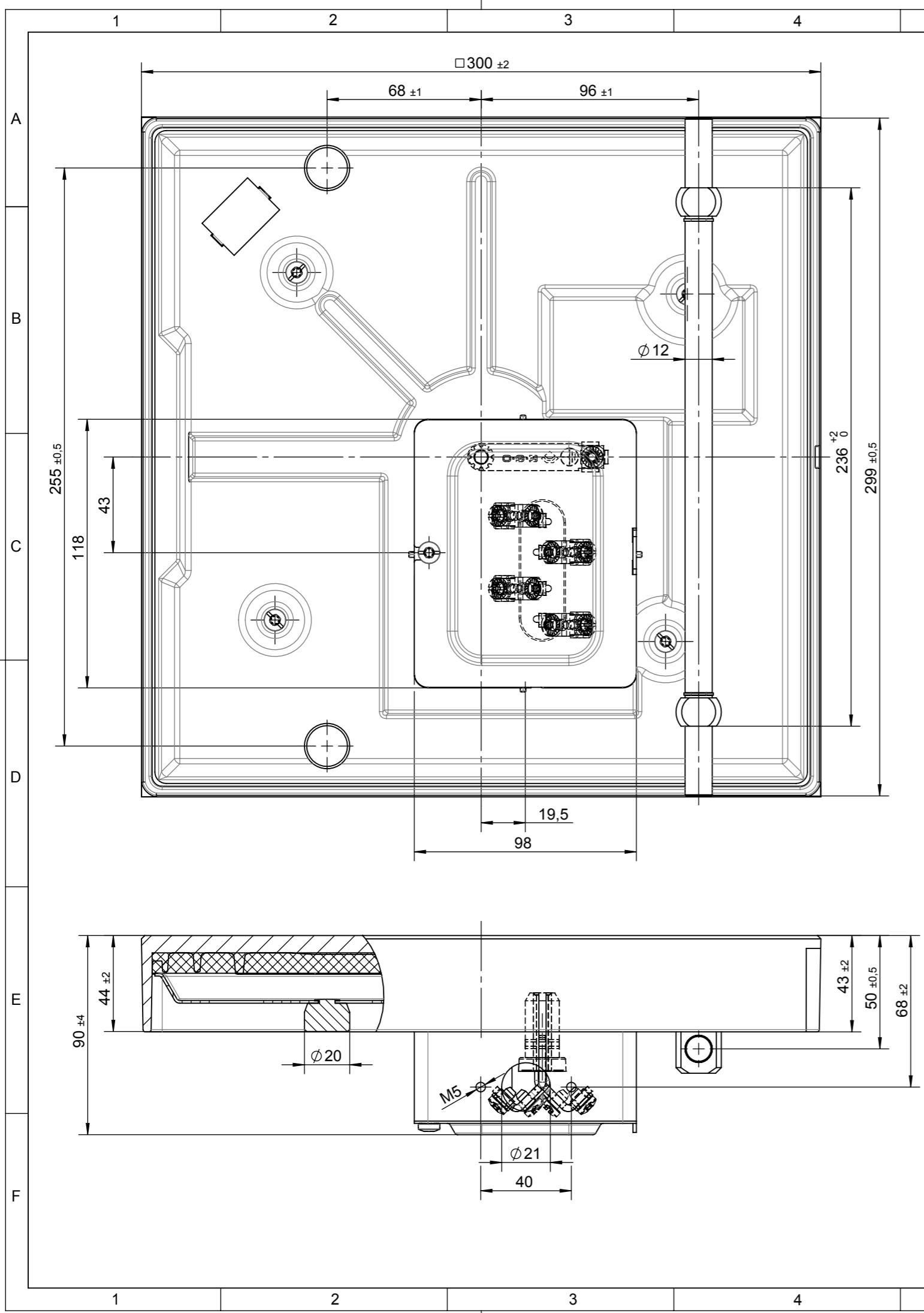


Doc.ID 11.33460.34X-101-00-A Doc. status 230 | released
 View date 2016-11-15 Viewed by BENDER
 Art.ID 11.33460.344-00/00A SAP Status 2F



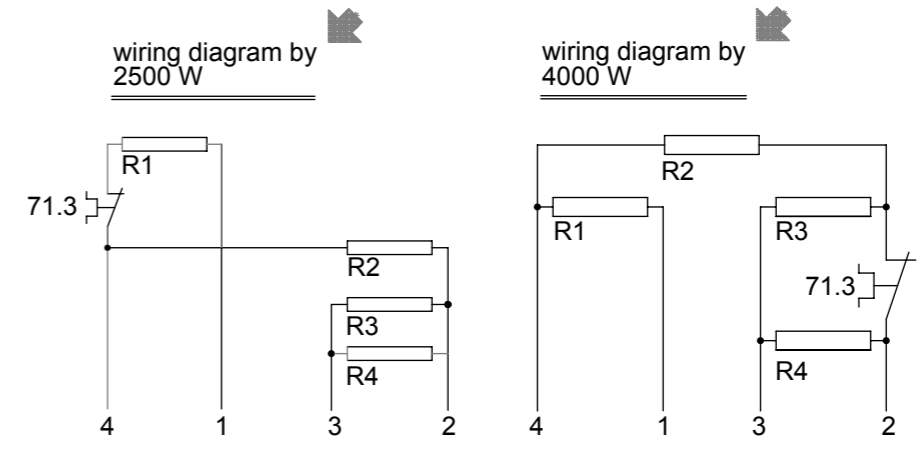
11.33460.341
 4000W 400V~
 12 221

voltage marking
 230 V without
 240 V blue
 400 V red
 other green

connection
 4 straps with clamp
 bracket and screws M5

earthing
 with connecting lug
 clamp bracket and
 screw M5

At higher temperature the
 protector switches back to
 the rest wattages.
 Rest wattage by:
 2500 W = 1875 W
 4000 W = 2000 W



9	11.33460.349	2500	400	625	625	625	625	2500	1875	1250	625	420	250	X
8	11.33460.348	2500	480	625	625	625	625	2500	1875	1250	625	420	250	
7	11.33460.347	2500	415	625	625	625	625	2500	1875	1250	625	420	250	X
6	11.33460.346	4000	415	1500	1000	1000	500	4000	2500	1500	1000	600	430	X
5	11.33460.345	4000	480	1500	1000	1000	500	4000	2500	1500	1000	600	430	
4	11.33460.344	4000	440	1500	1000	1000	500	4000	2500	1500	1000	600	430	X
3	11.33460.343	2500	440	625	625	625	625	2500	1875	1250	625	420	250	X
2	11.33460.342	4000	230	1500	1000	1000	500	4000	2500	1500	1000	600	430	X
1	11.33460.341	4000	400	1500	1000	1000	500	4000	2500	1500	1000	600	430	X
		W	V	R1	R2	R3	R4	6	5	4	3	2	1	

Pos	Type	Wattage	Voltage	Rated conductor				Switch positions					Appro.	
				This document is exclusively committed to you for the agreed purpose. Any kind of duplication, utilization or communication of its content is prohibited, if not expressly conceded otherwise. Violators are committed to pay compensations. Any claims of existing or future property rights remain unaffected.				Blank No.		EN Mat.No.			Scale Unit	
								Material					Scale 1:2	
								Surface Texture ISO 1302						
								General Tolerances						
								Designation					EGO Com. Hotplate 300x300	
								Creat. 2012-08-08 MAURERR						
Cha.	Information No.	Date	Proc.	2012-08-09	MAURERR									
F.Rel.	A01454	2012-08-09	Rel.	2012-08-09	KRUEGERG									
							Drawing No.		Sh.No.	Ver.	Stat.	Sheets	Doc.	Ex.Doc.
							11.33460.34X		101	0	F			
Origin				Repl.for 11.33460.3XX			Repl.by		Ref.					