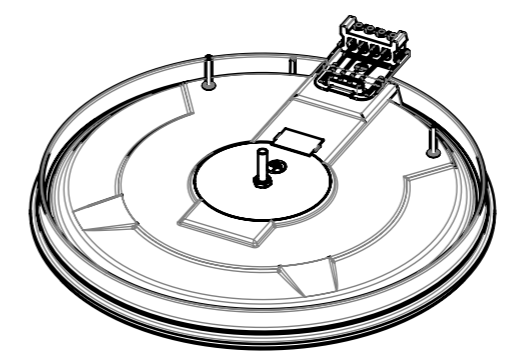
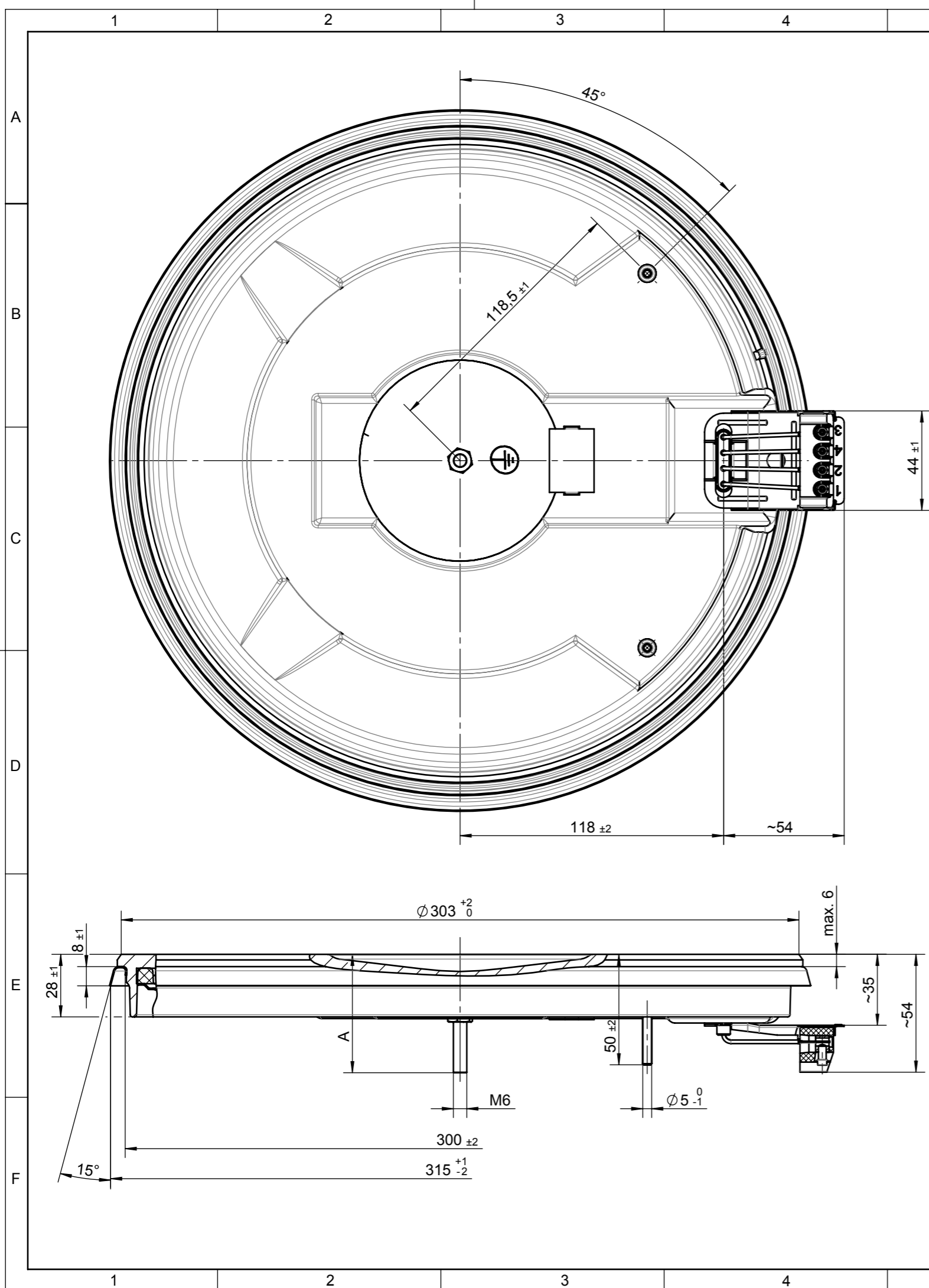


Doc.ID 12.30454.XXX-101-00-A Doc. status 230 | released
 View date 2016-11-15 Viewed by BENDER
 Art.ID 12.30454.009-00/00A SAP Status 2F



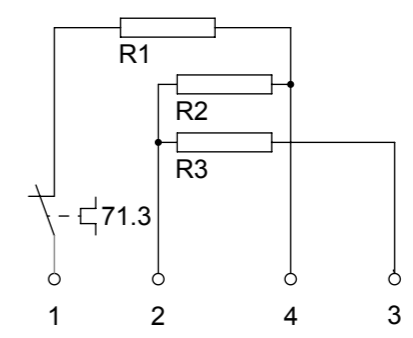
12.30454.006

 3000W 400V

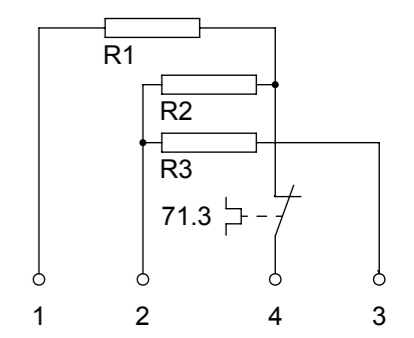
 12 184 13

voltage marking
 230 V without
 240 V blue
 400 V red
 other green

wiring diagram by 2500W



wiring diagram by 3000W, 3500W



9	12.30454.199	2500	400	600	800	1100	2500	1900	1100	800	460	260	X	53±3
8	12.30454.196	2500	230	600	800	1100	2500	1900	1100	800	460	260	X	53±3
7	12.30454.195	3500	400	1000	800	1700	3500	2500	1700	800	550	350	X	53±3
6	12.30454.194	3500	230	1000	800	1700	3500	2500	1700	800	550	350	X	53±3
5	12.30454.191	3500	415	1000	800	1700	3500	2500	1700	800	550	350	X	53±3
4	12.30454.114	3500	440	1166	1166	1166	3500	2332	1166	1166	583	388	X	53±3
3	12.30454.009	3500	440	1000	800	1700	3500	2500	1700	800	550	350	X	53±3
2	12.30454.008	3500	240	1000	800	1700	3500	2500	1700	800	550	350	X	53±3
1	12.30454.006	3000	400	700	950	1350	3000	2300	1350	950	560	310	X	53±3

Pos	Type	Wattage	Voltage	Rated conductor			Switch positions					Appro.	"A" in mm	
		W	V	R1	R2	R3	6	5	4	3	2	1		

This document is exclusively committed to you for the agreed purpose. Any kind of duplication, utilization or communication of its content is prohibited, if not expressly conceded otherwise. Violators are committed to pay compensations. Any claims of existing or future property rights remain unaffected.

Blank No. EN Mat.No. Scale Unit
 Material
 Surface Texture ISO 1302
 General Tolerances
 Designation
EGO Com. Hotplate 300

Cha.	Information No.	Date	Proc.	2012-07-31	MAURERR
F.Rel.	A01422	2012-08-02	Rel.	2012-08-02	KRUEGERG

Drawing No.	Sh.No.	Ver.	Stat.	Sheets	Doc.	Ex.Doc.
12.30454.XXX	101	0	F			

Origin Repl.for 12.30454.Div. Repl.by Ref.