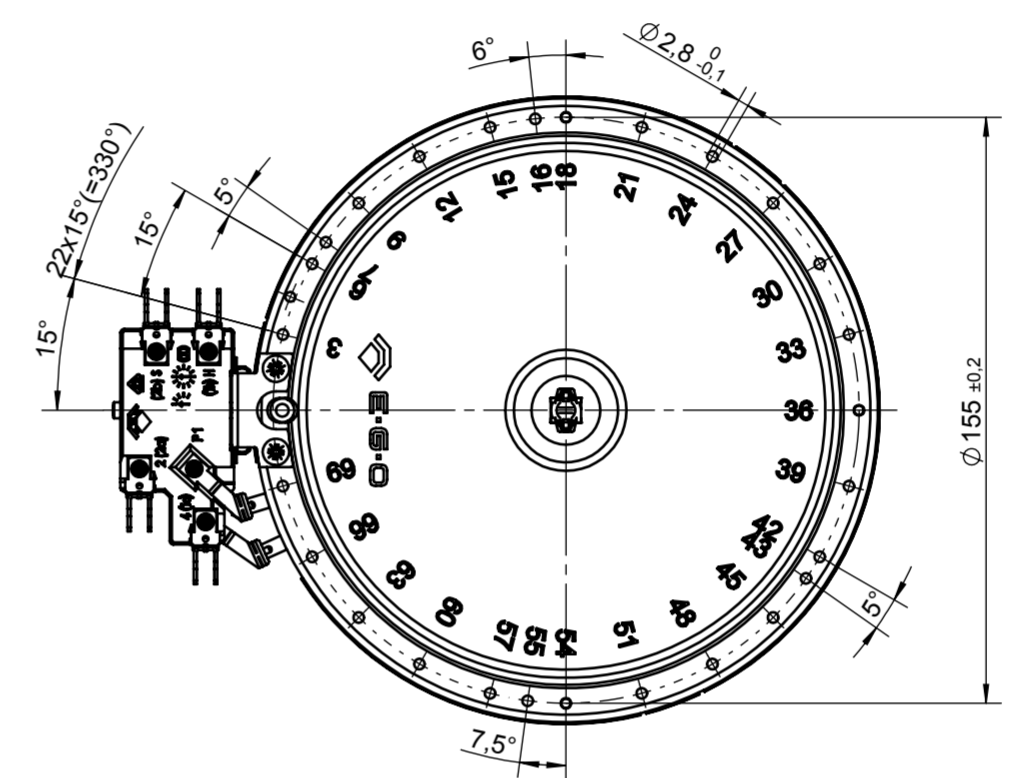
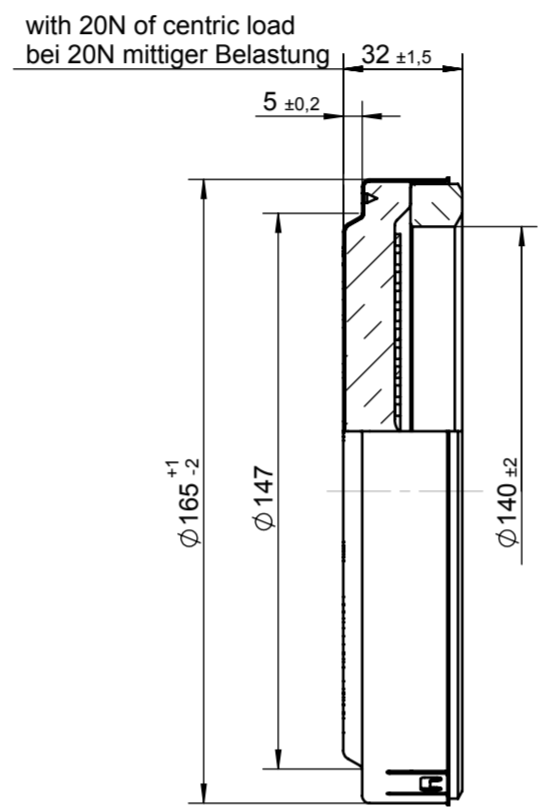
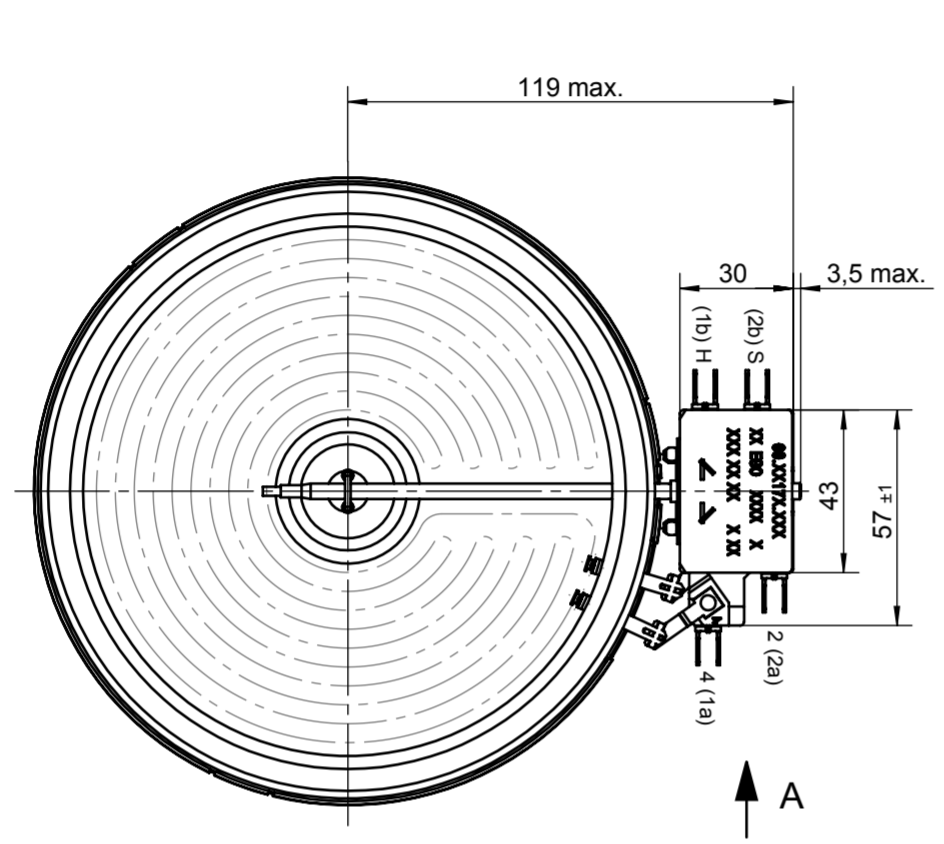


Doc.ID 10.54116.003-901-04-A Doc. status 230 | released  
 View date 2016-11-15 Viewed by BENDER  
 Art.ID 10.54116.006-00/00A SAP Status ZF

EGO HiLight 10.54116.003  
 1200W  
 240V~ \*\*

color assignment/Farbzueordnung  
 230V without/ohne  
 240V blue/blau  
 400V red/rot



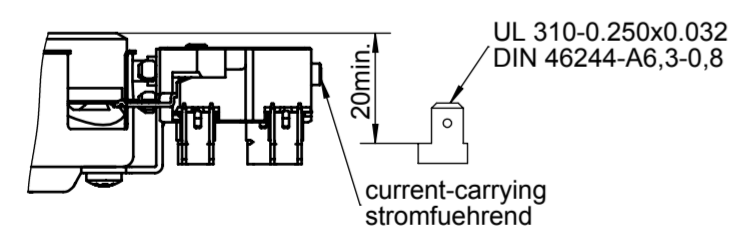
secure only by the spring  
 embossed edge max. screw in  
 deep 6mm  
 thread end ISO 1478-form C  
 Nur an der Randeinpraegung  
 federnd niederhalten  
 max. Einschraubtiefe 6mm  
 Gewindeende ISO 1478-Form C

Limiter/Begrenzer  
 60.25172.002  
 max. permissible temperature  
 at housing 250°C  
 max. zulässige Temperatur  
 am Gehaeuse 250°C

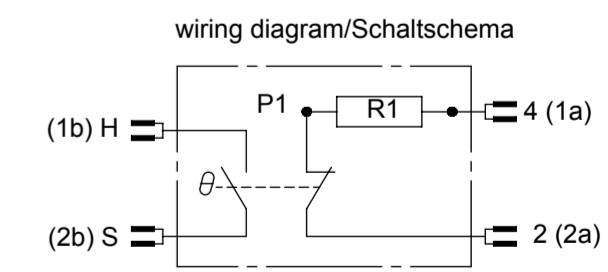
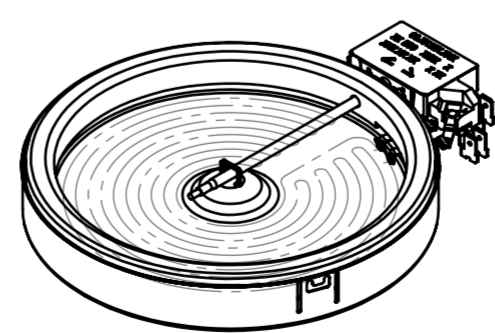
adjustment/Justierung:  
 glass surface temperature [T<sub>g</sub>]  
 CERAN HIGHTRANS eco  
 Glasoberflaechentemperatur [T<sub>g</sub>]  
 CERAN HIGHTRANS eco  
 2 (2a) - 4 (1a) 540°C  
 S (2b) - H (1b) out/Aus 65°C

support at inserting  
 resp. pull off avoids  
 possible damage  
 at the temperature control  
 Abstuetzen beim Stecken  
 bzw. Abziehen vermeidet  
 evtl. BeschaeDIGungen am  
 Temperaturwaechter

A (1 : 1.5)



9													
8													
7													
6	10.54116.006	1200	400	1200						X			
5													
4	10.54116.004	1200	230	1200						X			
3	10.54116.003	1200	240	1200						X	X		
2													
1													
0													
Pos	type	W	V~	R1	R2	R3							
	Type	wattage	voltage	rated conductor									
		Leistung	Spannung	Heizleiterabstufung									



tolerance/Tolerierung ISO 8015

This document is exclusively committed to you for the agreed purpose. Any kind of duplication, utilization or communication of its content is prohibited, if not expressly conceded otherwise. Violators are committed to pay compensations. Any claims of existing or future property rights remain unaffected.				Blank No.		EN Mat.No.		Scale Unit		
4	B03663	2016-10-17			Material		mm			
3	B02627	2011-12-02			Surface Texture ISO 1302		Scale			
2	B02521	2011-06-10	CAD	Date	General Tolerances ISO 2768-mH		1:2			
1	B02466	2011-01-25	Cre.	2016-09-28	Designation					
Cha.	Information No.	Date	Proc.	2016-10-11	EGO HiLight 140					
F.Rel.	B02359	2010-11-05	Rel.	2016-10-17	EGO HiLight 140					
Origin					Repl.for 10.54116.00X/001		Repl.by		Ref.	
E-G-O					Drawing No. 10.54116.003		Sh.No. 901		Ver. 04	
							Stat. F		Sheets Doc. Ex.Doc.	