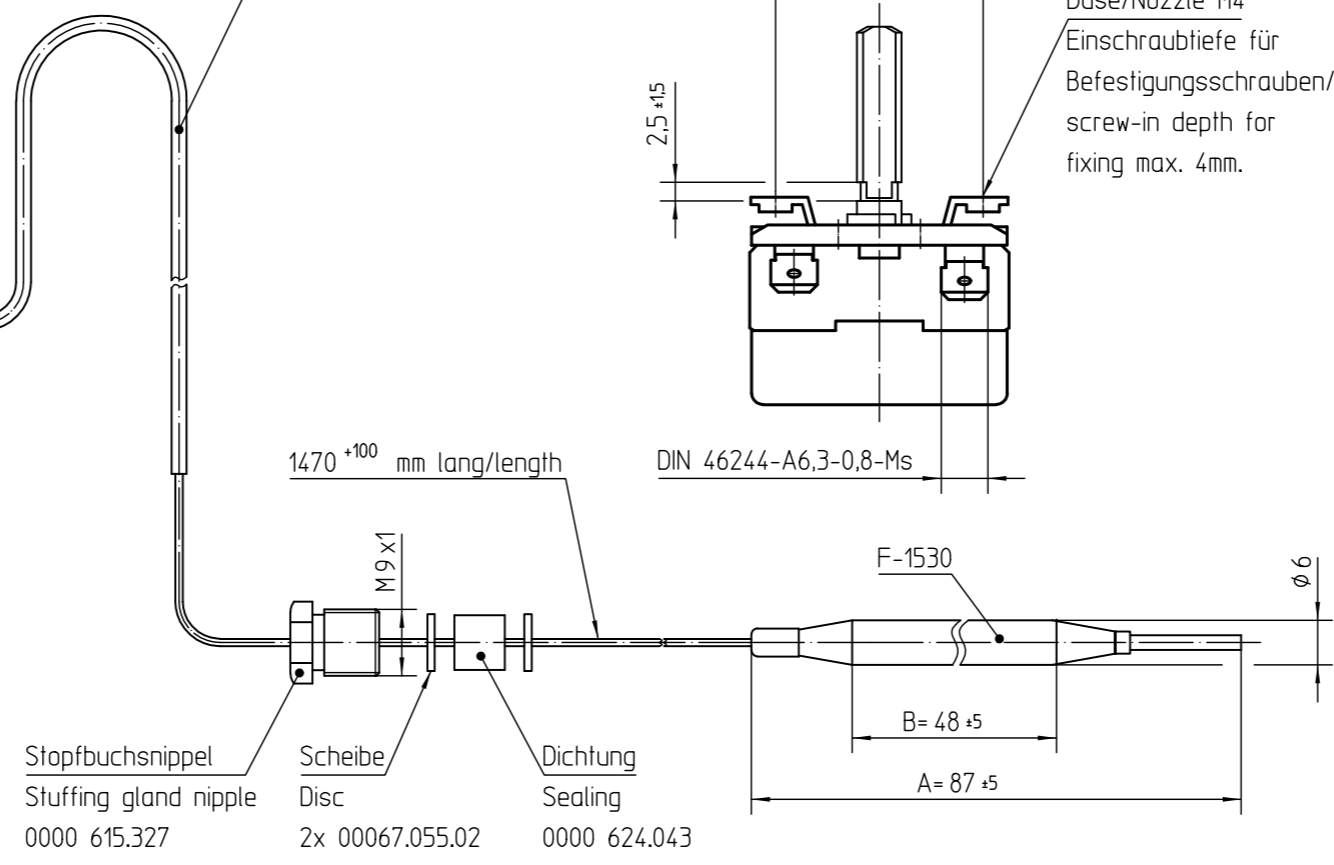
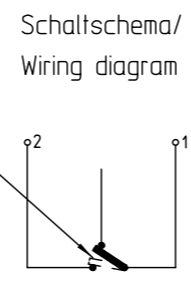


Teflon Isolierschlauch, grau  
Teflon insulation sleeve, grey  
1100 ±80 mm lang/length



Kann bei Anschlag links  
auch geschlossen sein/  
Can also be closed in  
off-position



Temperaturregler bei Spindelstellung Anschlag links gezeichnet/  
Thermostat drawn in minimum position

➔ Mit Kompensation/With compensation

Genehmigte technische Daten/Approved technical data  
55.13000.000, Bl.901

Bemerkungen/Notes:

Normalklima/Standard atmosphere DIN EN 60068-1 (23±2)°C  
Temperaturen sind AUS-Werte/Temperatures are OFF values  
Schaltdifferenz/Differential: (5±2,5)K  
(im Werksnormbad/in E.G.O. standard bath)  
Min. Fühlertemperatur/Min. sensor temperature: -10°C (DC)  
Max. Fühlertemperatur/Max. sensor temperature: 280°C  
(aus Sicherheitsgründen/for security reasons)  
Schnappfeder/snap action spring: NiBe  
Max. Gehäusetemperatur/Max. housing temperature (VDE): 150°C  
Max. Gehäusetemperatur/Max. housing temperature (UL): 120°C  
Min. Biegeradius Kapillarrohr/  
Min. bending radius of capillary tube: 5 mm  
Für Einsatz in Umgebungsbedingungen mit  
normaler Verunreinigung/  
For application with normal pollution level (Typ 1 B)  
Kunden-Zeichnungs-Nr./Customer drawing-No.: 203662  
auf Packstück aufgestempelt/  
printed on packing

➔ Korrekturfaktor/correction factor: c = 0,18 [K/K]  
(bez. auf Umgebungstemp./based on ambient temperature)

Temperaturwerte/  
Temperature values

Drehbereich  
Rotation range  
190°C ±5K

Arbeitsbeginn  
Start  
96°C ±7K

|  |                 |            |                      |              |                  |
|--|-----------------|------------|----------------------|--------------|------------------|
| This document is exclusively committed to you for the agreed purpose. Any kind of duplication, utilization or communication of its content is prohibited, if not expressly conceded otherwise. Violators are committed to pay compensations. Any claims of existing or future property rights remain unaffected. |                 |            | Blank No. .          | EN Mat.No. . | Scale Unit<br>mm |
| 5  | CD0001          | 2010-12-15 |                      |              | Scale<br>1:1     |
| 4  | E11309          | 2008-08-19 |                      |              | <br>             |
| 3  | E04065          | 2004-11-19 |                      |              |                  |
| 2  | E00911          | 2002-08-16 | CAD                  | Date         | Name             |
| 1  | E00909          | 2002-08-16 | Create.              | 2002-07-17   | SCHUHMAM         |
| Cha.   | Information No. | Date       | Proc.                | 2008-08-19   | POSOVSKY         |
| F.Rel.   | E00755          | 2002-07-17 | Rel.                 | 2008-08-19   | SCHLAGET         |
| Designation  |                 |            | EGO Temperaturregler |              |                  |
| EGO Thermostat   |                 |            |                      |              |                  |
| Drawing No.  |                 |            | Sh.No.               | Ver.         | StaF.            |
| 55.13034.120   |                 |            | 901                  | 4            | F                |
| Repl.by .  |                 |            | Repl.for .           | Sheets       | Doc.             |
| Origin .   |                 |            | Reference RM         |              | Ex.Doc.          |