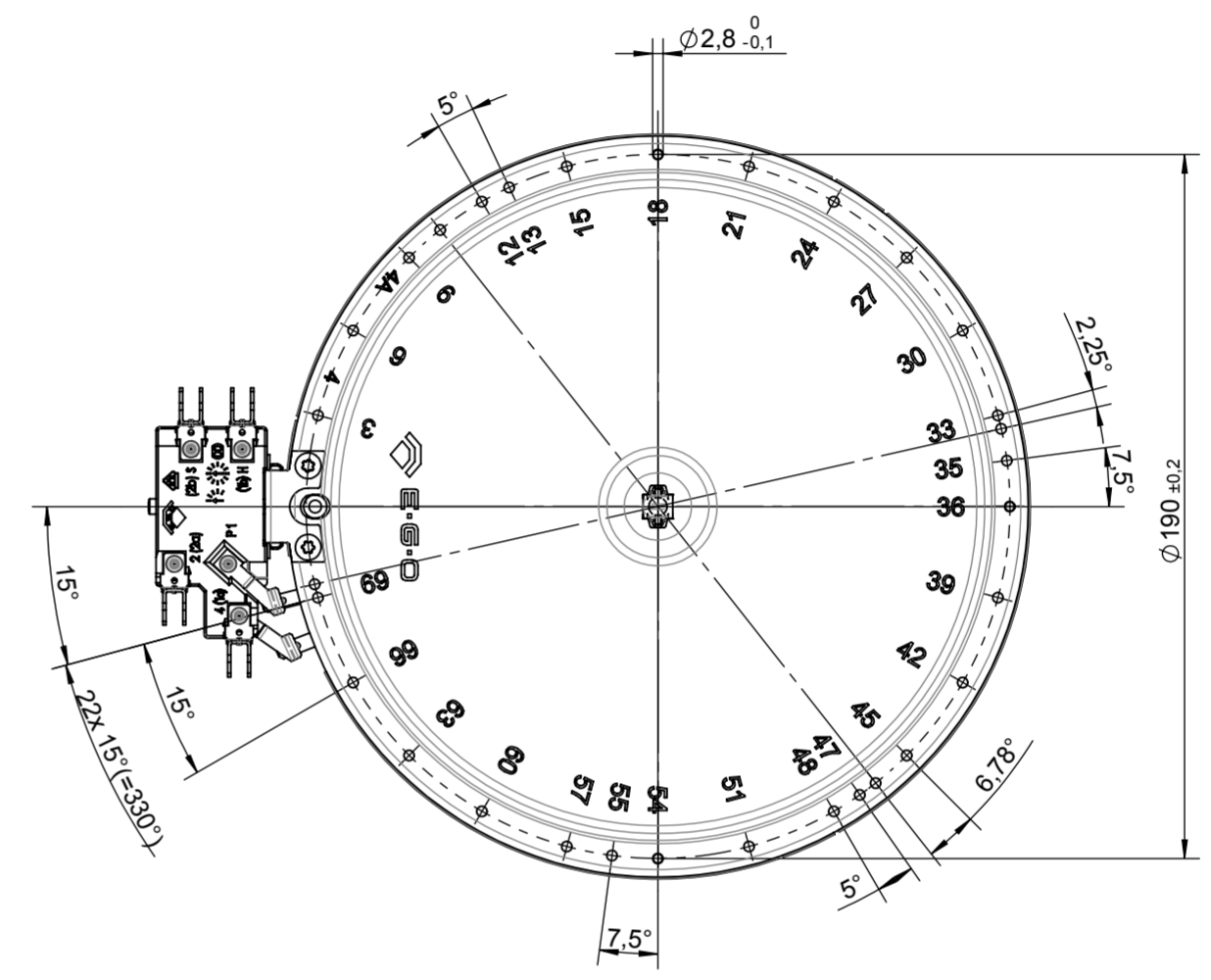
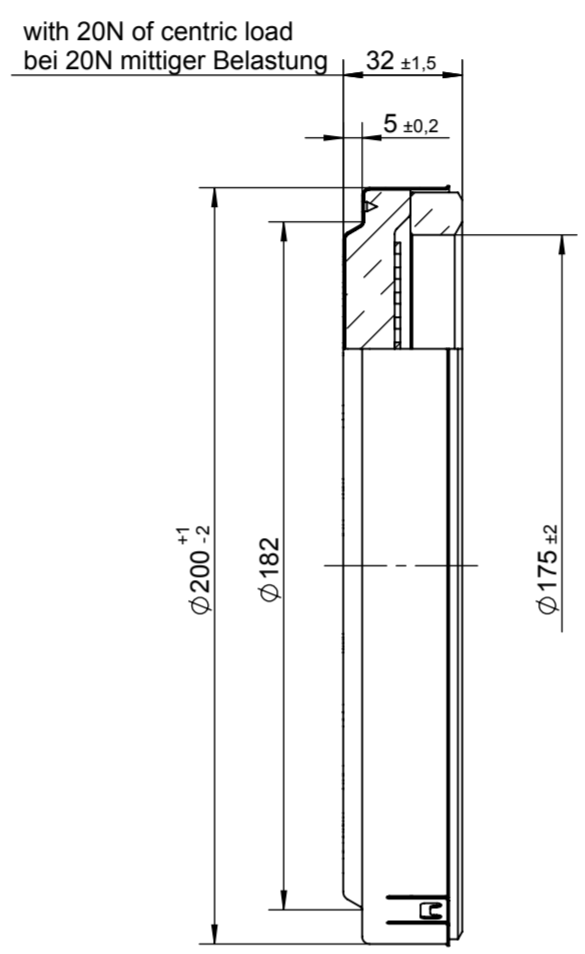
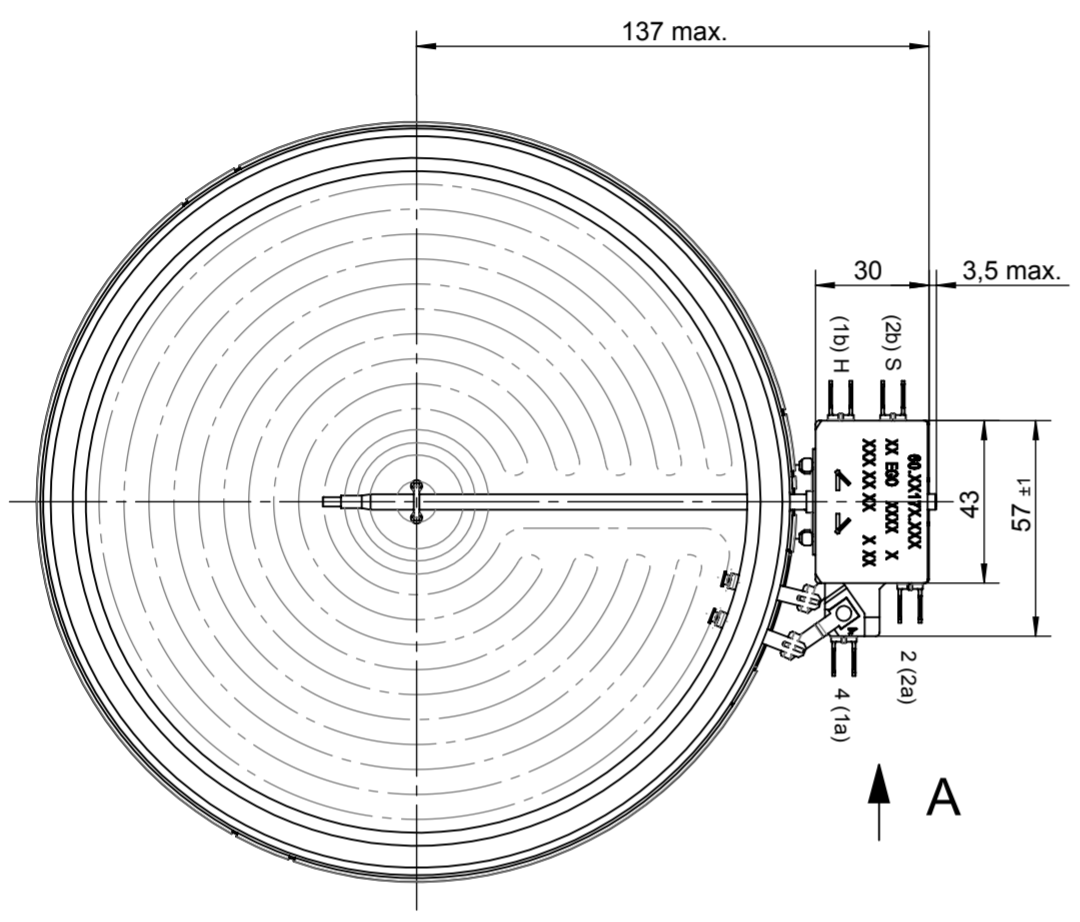


Doc.ID 10.58116.000-901-06-A Doc. status 230 | released  
 View date 2016-11-15 Viewed by BENDER  
 Art.ID 10.58116.006-00/00A SAP Status ZF

10.58116.000  
 EGO HiLight  
 1400W  
 240V~  
 9000300780  
 \*\*

color assignment/Farbzordnung  
 230V without/ohne  
 240V blue/blau  
 400V red/red



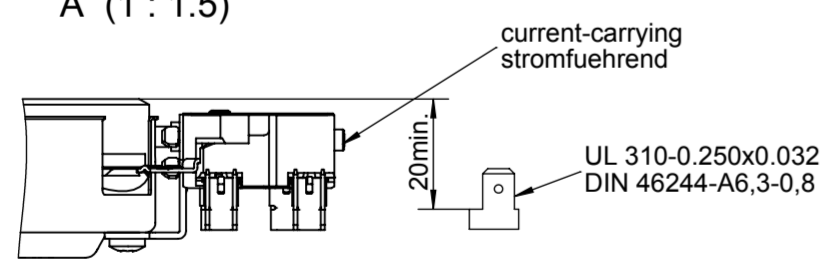
secure only by the spring embossed edge max. screw in deep 6mm thread end ISO 1478-form C  
 Nur an der Randeinprägung federnd niederhalten  
 max. Einschraubtiefe 6mm  
 Gewindeende ISO 1478-Form C

Limitier/Begrenzer  
 60.25172.064  
 max. permissible temperature at housing 250°C  
 max. zulässige Temperatur am Gehäuse 250°C

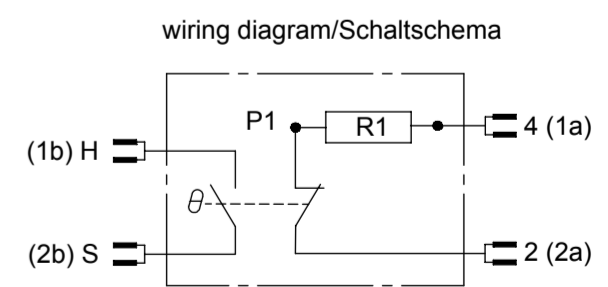
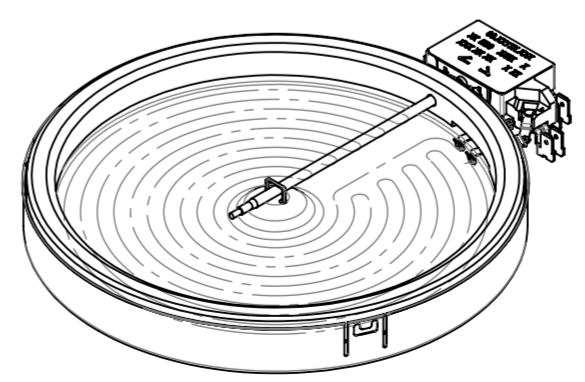
adjustment/Justierung:  
 glass surface temperature [T<sub>g</sub>]  
 CERAN HIGHTRANS eco  
 Glasoberflächentemperatur [T<sub>g</sub>]  
 CERAN HIGHTRANS eco  
 A 2 (2a) - 4 (1a) 540°C  
 S (2b) - H (1b) out/Aus 65°C  
 B 2 (2a) - 4 (1a) 570°C  
 S (2b) - H (1b) out/Aus 65°C

support at inserting resp. pull off avoids possible damage at the temperature control  
 Absetzen beim Stecken bzw. Abziehen vermeidet evtl. Beschädigungen am Temperaturwächter

A (1 : 1.5)



9	10.58116.009	1800	230	1800			B		X		
8											
7											
6	10.58116.006	1800	400	1800			A		X		
5											
4	10.58116.004	1800	230	1800			A		X		
3	10.58116.003	1800	240	1800			A		X	X	
2											
1											
0	10.58116.000	1400	240	1400			A	9000300780	X	X	
Pos	type	W	V~	R1	R2	R3	adjustment	B/S/H/ material no.	approval marks Prüfzeichen**		
1	Type	wattage Leistung	voltage Spannung	rated conductor Heizleiterabstufung			adjustment Justierung	B/S/H/ material no. B/S/H/ Material-Nr.			



tolerance/Tolerierung ISO 8015

6	B03680	2016-11-09	This document is exclusively committed to you for the agreed purpose. Any kind of duplication, utilization or communication of its content is prohibited, if not expressly conceded otherwise. Violators are committed to pay compensations. Any claims of existing or future property rights remain unaffected.	Blank No.		EN Mat.No.		Scale Unit		
5	B02812	2012-06-19		Material				mm		
4	B02642	2011-12-08		Surface Texture ISO 1302				Scale		
3	B02536	2011-07-04		General Tolerances ISO 2768-mH				1:2		
2	B02479	2011-02-01		CAD	Date	Name		Designation		
1	B02440	2010-11-11	Creat.	2016-10-19	JOHNE		EGO HiLight 180			
Cha.	Information No.	Date	Proc.	2016-11-08	JOHNE		EGO HiLight 180			
F.Rel.	B02360	2010-10-08	Rel.	2016-11-09	JOHNE					
Origin			Repl.for 10.58116.00X/901			Repl.by			Ref.	