

Doc.ID 10.51116.002-901-09-A Doc. status 230 | released
 View date 2016-11-15 Viewed by BENDER
 Art.ID 10.51116.006-00/00A SAP Status ZF

EGO HiLight 10.51116.002
 2100W
 230V~ **

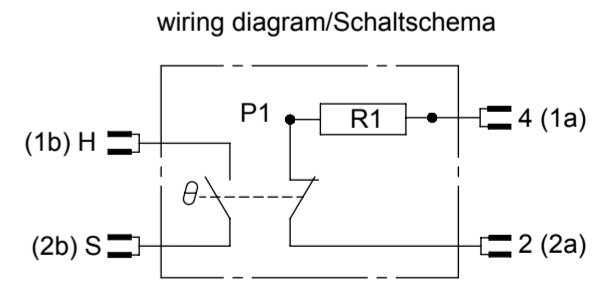
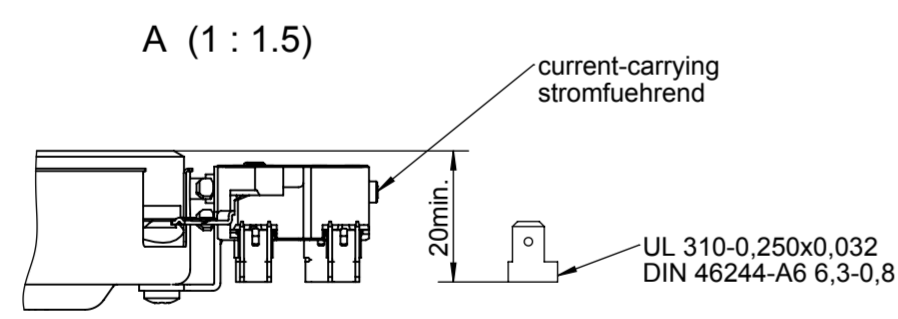
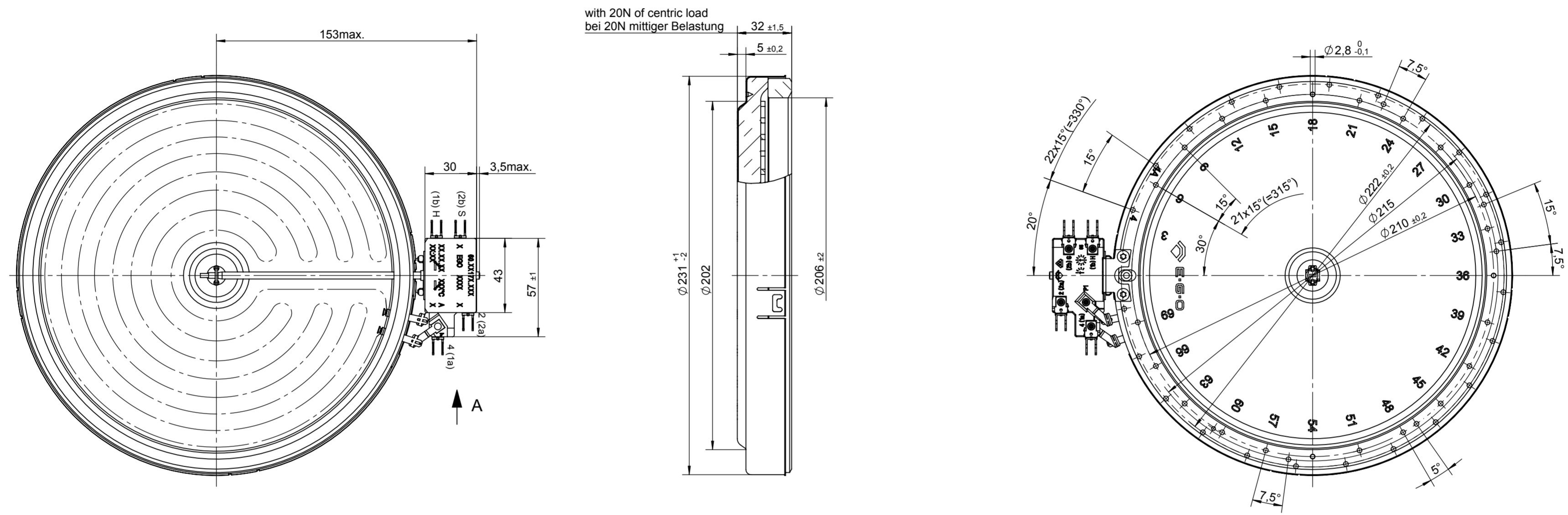
color assignment/Farbzueordnung
 230V without/ohne
 240V blue/blau
 400V red/rot

secure only by the spring
 embossed edge max. screw in
 deep 6mm
 thread end ISO 1478-form C
 Nur an der Randeinpraegung
 federnd niederhalten
 max. Einschraubtiefe 6mm
 Gewindeende ISO 1478-Form C

Limitier/Begrenzer
 60.25172.064
 max. permissible temperature
 at housing 250°C
 max. zulaessige Temperatur
 am Gehaeuse 250°C

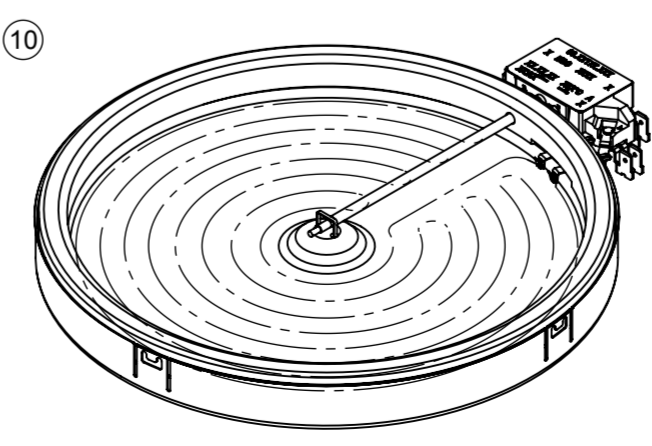
adjustment/Justierung:
 glass surface temperature [T_g]
 CERAN HIGHTRANS eco
 Glasoberflaechentemperatur [T_g]
 CERAN HIGHTRANS eco
 2 (2a) - 4 (1a) 540°C
 S (2b) - H (1b) out/Aus 65°C

support at inserting
 resp. pull off avoids
 possible damage
 at the temperature control
 Abstuetzen beim Stecken
 bzw. Abziehen vermeidet
 evtl. Beschaedigungen am
 Temperaturwaechter



9											
8											
7											
6	10.51116.006	2300	400	2300						X	
5											
4	10.51116.004	2300	230	2300						X	
3											
2	10.51116.002	2100	230	2100						X	
1											
0											

Pos	type	W	V~	R1	R2	R3	patent no.	approval marks
Type	wattage	voltage	rated conductor				Patent-Nr.	Pruefzeichen**
1	Leistung	Spannung	Heizleiterabstufung					
1								



10	B02990	2013-04-26	This document is exclusively committed to you for the agreed purpose. Any kind of duplication, utilization or communication of its content is prohibited, if not expressly conceded otherwise. Violators are committed to pay compensations. Any claims of existing or future property rights remain unaffected.				Blank No.	EN Mat.No.	Scale Unit			
9	B02642	2011-12-08					Material		Scale			
8	B02540	2011-07-19					Surface Texture ISO 1302		1:2			
7	B02501	2011-04-11					General Tolerances ISO 2768-mH					
6	B02509	2011-03-31					Designation					
5	CD0001	2010-12-15	CAD	Date	Name	EGO HiLight 210						
4	B02299	2010-03-23	Creat.	2004-03-05	FUERSTA	EGO HiLight 210						
Cha.	Information No.	Date	Proc.	2013-04-25	KATZENMS							
F.Rel.	B00636	2004-03-05	Rel.	2013-04-26	KATZENMS							
						Drawing No.	Sh.No.	Ver.	Stat.	Sheets	Doc.	Ex.Doc.
						10.51116.002	901	9	F			
Origin							Repl.for 10.51116.00X/001	Repl.by	Ref.			