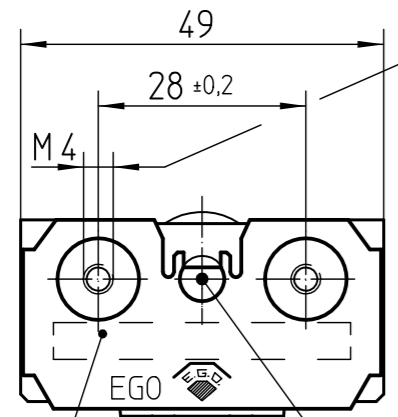
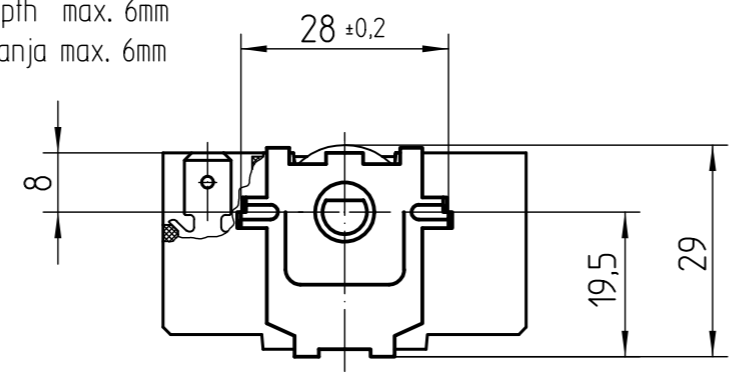


Frontansicht  
front view  
Pogled sprijeda

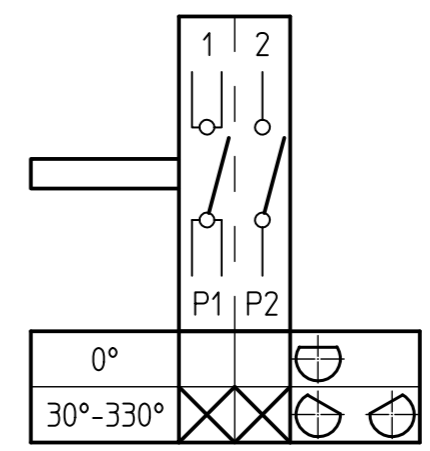


Einschraubtiefe max. 6mm  
screw-in-depth max. 6mm  
dubina uvrtnja max. 6mm

Rueckansicht  
rear view  
Pogled straga

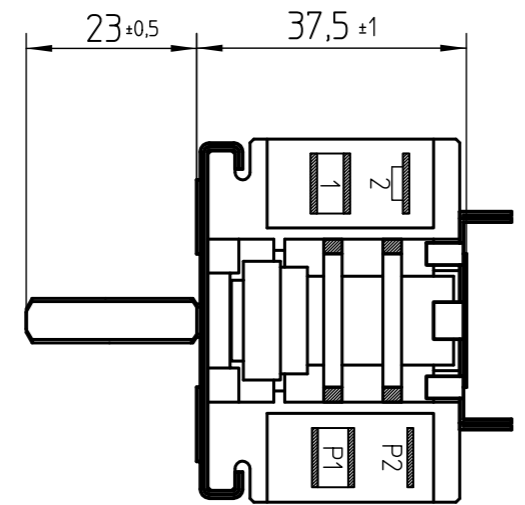


Schaltdiagramm  
switching diagram  
Schema spoja



Zeichengenehmigung  
approvals  
Oznake i odorenja

Achse in AUS-Stellung (0°)  
axle in OFF-position (0°)  
Osovina u položaju isključeno (0°)



Anmerkung:

Aufzukoppelndes Gerät:  
-Achseprofil  $\varnothing 6 \begin{smallmatrix} +0.02 \\ -0.08 \end{smallmatrix} \times 4,6 \begin{smallmatrix} +0.02 \\ -0.10 \end{smallmatrix}$   
-Montagehinweis siehe 42.00000.000

remark:

appliance to be connected:  
-axle profile  $\varnothing 6 \begin{smallmatrix} +0.02 \\ -0.08 \end{smallmatrix} \times 4,6 \begin{smallmatrix} +0.02 \\ -0.10 \end{smallmatrix}$   
-mounting detail see type drawing 42.00000.000

Napomena:

Priključeni uređaj:  
-Profil osovine  $\varnothing 6 \begin{smallmatrix} +0.02 \\ -0.08 \end{smallmatrix} \times 4,6 \begin{smallmatrix} +0.02 \\ -0.10 \end{smallmatrix}$   
-Upute za montazu vidi 42.00000.000

Technische Angaben:

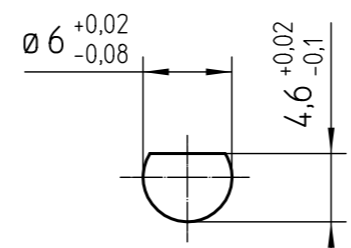
- Flachstecker DIN 46244 A 6,3-0,8
- Rasteranschluß: 8mm
- Abweichung der Achsfläche in AUS-Stellung max.  $\pm 3^\circ$
- Genehmigte technische Daten siehe Zeichnungsnummer 42.00000.001

technical data:

- plug DIN 46244 A 6,3-0,8
- connection: rast 8mm
- divergence of axle area in OFF-position max.  $\pm 3^\circ$
- approved technical data see type drawing 42.00000.001

Tehnicki podaci:

- Plosnati priključak DIN 46244 A 6,3-0,8
- Raster priključaka : 8 mm
- Odstupanje ravnine osovine u položaju isključeno max.  $\pm 3^\circ$
- Odobreni tehnicki podaci vidi crtez 42.00000.001



Achsprofil  
axle profile  
Profil osovine

This document is exclusively committed to you for the agreed purpose. Any kind of duplication, utilization or communication of its content is prohibited, if not expressly conceded otherwise. Violators are committed to pay compensations. Any claims of existing or future property rights remain unaffected.			Blank No. .	EN Mat.No. .	Scale Unit mm
5	CD0001	2010-12-15			Scale 1:1
4	F03129	2010-09-24			
3	F02915	2010-02-20			
2	F00639	2004-02-10	CAD	Date	Name
1	RE0741	2000-07-28	Create.	2000-07-28	Sommer
Cha.	Information No.	Date	Proc.	2010-09-09	ERNSTC
F.Rel.	0602ER	1994-03-25	Rel.	2010-09-23	BELZB
Designation			Drawing No.	Sh.No.	Ver.
EGO Programmschalter			42.02900.000	901	3 F
EGO multi function switch					
EGO Okretna sklopka programska					
Origin 97.42029.171			Repl.for .	Repl.by .	Reference S3422